

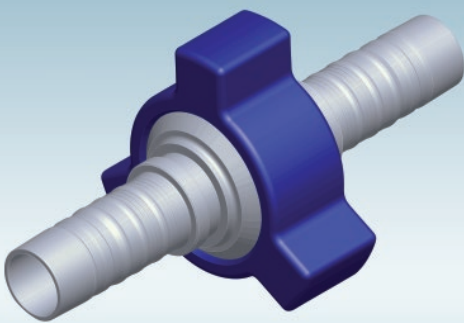
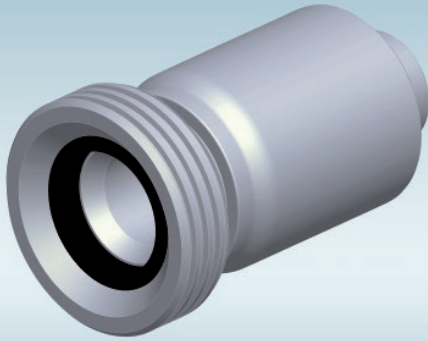
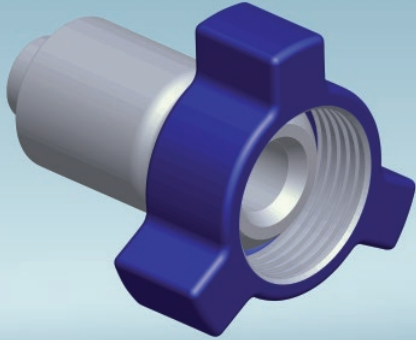


Kuriyama Hydraulic
Connections™

EDITION 0817

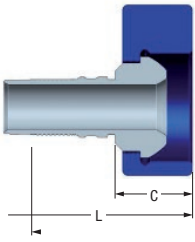
ALFAGOMMA®

**HAMMER UNION FIG.1502
INTEGRAL FITTINGS
2" SIZE**



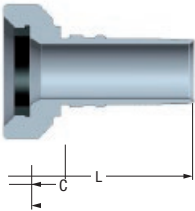
- **TWO-PIECE *INTERLOCK* AND ALFAGRIMP ONE-PIECE *NO-SKIVE* VERSIONS**
- **INTEGRAL FITTINGS, NO NEED OF ADAPTERS**
- **NO WELDED PARTS, SOLID ONE-PIECE**
- **DIRECT, COMPACT AND SMART SOLUTION**
- **ALFAGOMMA LONG LENGTH 61 m (200 ft) HOSES, TO REDUCE UNIONS**
- **THE LESS PARTS INVOLVED, THE SAFEST RESULT, THE HIGHEST PERFORMANCE**

**FOR FLEXOR R13, FLEXOR 4SH, ALFATECH 5000, ALFABIOTECH 5000 AND FLEXOR RIG™
MINETUFF AND SUPERTUFF COVERS**



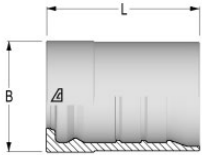
Male Hammer Union Fig. 1502 integral fitting with Lug Nut

| New Part Number | Former Part Number | Hose ID (in.) | Hose ID (mm) | DASH | C CUT-OFF (mm) | L Overall Length (mm) | Weight Each (lbs.) |
|-----------------|--------------------|---------------|--------------|------|----------------|-----------------------|--------------------|
| X-3232-MHUN | H1413F13-3232 | 2 | 51 | 32 | 55.3 | 152 | 14.11 |



Female Hammer Union Fig. 1502 integral fitting with Rubber Ring

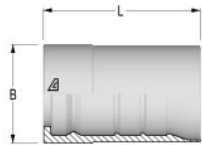
| New Part Number | Former Part Number | Hose ID (in.) | Hose ID (mm) | DASH | C CUT-OFF (mm) | L Overall Length (mm) | Weight Each (lbs.) |
|-----------------|--------------------|---------------|--------------|------|----------------|-----------------------|--------------------|
| X-3232-FHUN | H1423F10-3232 | 2 | 51 | 32 | 51.5 | 148.5 | 5.07 |



Interlock ferrule H1400301

Flexor R13, Alfatech 5000, Alfabiotech 5000 and Flexor Rig™

| New Part Number | Former Part Number | Hose ID (in.) | Hose ID (mm) | DASH | B (mm) | L (mm) | Weight Each (lbs.) |
|-----------------|--------------------|---------------|--------------|------|--------|--------|--------------------|
| XF1-32 | H1400301-3200 | 2 | 50.8 | 32 | 88 | 99 | 3.24 |

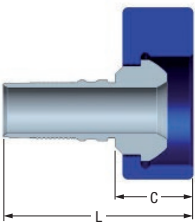


Interlock ferrule H1400200

Flexor 4SH

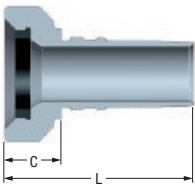
| New Part Number | Former Part Number | Hose ID (in.) | Hose ID (mm) | DASH | B (mm) | L (mm) | Weight Each (lbs.) |
|-----------------|--------------------|---------------|--------------|------|--------|--------|--------------------|
| XF2-32 | H1400200-3200 | 2 | 50.8 | 32 | 78 | 99.1 | 1.98 |

**FOR ALFATECH 6000 AND ALFABIOTECH 6000
MINETUFF AND SUPERTUFF COVERS**



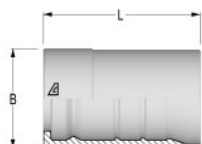
Male Hammer Union Fig. 1502 integral fitting with Lug Nut

| New Part Number | Former Part Number | Hose ID (in.) | Hose ID (mm) | DASH | C CUT-OFF (mm) | L Overall Length (mm) | Weight Each (lbs.) |
|-----------------|--------------------|---------------|--------------|------|----------------|-----------------------|--------------------|
| Z-3232-MHUN | H1T13F13-3232 | 2 | 51 | 32 | 55.9 | 162.2 | 14.55 |



Female Hammer Union Fig. 1502 integral fitting with Rubber Ring

| New Part Number | Former Part Number | Hose ID (in.) | Hose ID (mm) | DASH | C CUT-OFF (mm) | L Overall Length (mm) | Weight Each (lbs.) |
|-----------------|--------------------|---------------|--------------|------|----------------|-----------------------|--------------------|
| Z-3232-FHUN | H1T23F10-3232 | 2 | 51 | 32 | 52.4 | 158.7 | 5.73 |

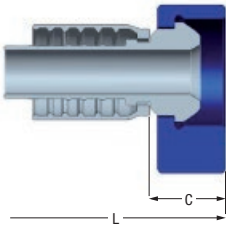


Interlock ferrule H1T00600

| New Part Number | Former Part Number | Hose ID (in.) | Hose ID (mm) | DASH | B (mm) | L (mm) | Weight Each (lbs.) |
|-----------------|--------------------|---------------|--------------|------|--------|--------|--------------------|
| ZF1-32 | H1T00600-3200 | 2 | 50.8 | 32 | 88 | 108.2 | 3.30 |

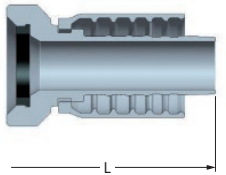
Two-piece Interlock fittings

**FOR FLEXOR R13, ALFATECH 5000, ALFABIOTECH 5000 AND FLEXOR RIG™
MINETUFF AND SUPERTUFF COVERS**



Male Hammer Union Fig. 1502 integral fitting with Lug Nut

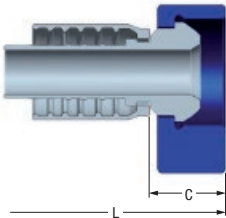
| New Part Number | Former Part Number | Hose ID (in.) | Hose ID (mm) | DASH | C CUT-OFF (mm) | L Overall Length (mm) | Weight Each (lbs.) |
|-----------------|--------------------|---------------|--------------|------|----------------|-----------------------|--------------------|
| M-3232-MHUN | C12R13F13-3232 | 2 | 51 | 32 | 60 | 185.5 | 14.55 |



Female Hammer Union Fig. 1502 integral fitting with Rubber Ring

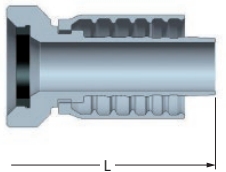
| New Part Number | Former Part Number | Hose ID (in.) | Hose ID (mm) | DASH | C CUT-OFF (mm) | L Overall Length (mm) | Weight Each (lbs.) |
|-----------------|--------------------|---------------|--------------|------|----------------|-----------------------|--------------------|
| M-3232-FHUN | C12R23F10-3232 | 2 | 51 | 32 | 56.5 | 182 | 5.52 |

**FOR FLEXOR 4SH
MINETUFF AND SUPERTUFF COVERS**



Male Hammer Union Fig. 1502 integral fitting with Lug Nut

| New Part Number | Former Part Number | Hose ID (in.) | Hose ID (mm) | DASH | C CUT-OFF (mm) | L Overall Length (mm) | Weight Each (lbs.) |
|-----------------|--------------------|---------------|--------------|------|----------------|-----------------------|--------------------|
| H-3232-MHUN | C12H13F13-3232 | 2 | 51 | 32 | 60 | 185.5 | 14.55 |



Female Hammer Union Fig. 1502 integral fitting with Rubber Ring

| New Part Number | Former Part Number | Hose ID (in.) | Hose ID (mm) | DASH | C CUT-OFF (mm) | L Overall Length (mm) | Weight Each (lbs.) |
|-----------------|--------------------|---------------|--------------|------|----------------|-----------------------|--------------------|
| H-3232-FHUN | C12H23F10-3232 | 2 | 51 | 32 | 56.5 | 182 | 5.52 |

**HOSES TO BE USED WITH HAMMER UNION FIG. 1502
IN LENGTH UP TO 61 m (200 ft)**



| Hose Model | ↔ | | ↔ | | ⌚ | | ⌚ | | ⌒ | | ⚖ | | |
|------------------|------|------|-------|------|-------|-----|------|-----|-------|------|-------|------|---------|
| | Dash | (mm) | (in.) | (mm) | (in.) | Mpa | psi | Mpa | psi | (mm) | (in.) | kg/m | lbs/ft. |
| Flexor Rig™ | -32 | 51 | 2 | 70.9 | 2.79 | 35 | 5000 | 140 | 20000 | 635 | 25.4 | 6.60 | 4.42 |
| Flexor R13 | -32 | 51 | 2 | 70.9 | 2.79 | 35 | 5000 | 140 | 20000 | 635 | 25.4 | 6.60 | 4.42 |
| Alfabiotech 5000 | -32 | 51 | 2 | 70.2 | 2.76 | 35 | 5000 | 140 | 20000 | 550 | 21.7 | 6.26 | 4.20 |
| Alfatech 5000 | -32 | 51 | 2 | 70.9 | 2.80 | 35 | 5000 | 140 | 20000 | 635 | 25.4 | 6.60 | 4.42 |
| Alfatech 6000 | -32 | 51 | 2 | 72.0 | 2.83 | 42 | 6000 | 168 | 24000 | 600 | 24.0 | 7.08 | 4.74 |
| Alfabiotech 6000 | -32 | 51 | 2 | 71.0 | 2.80 | 42 | 6000 | 168 | 24000 | 635 | 25.0 | 6.50 | 4.37 |



| Hose Model | ↔ | | ↔ | | ⌚ | | ⌚ | | ⌒ | | ⚖ | | |
|------------|------|------|-------|------|-------|-----|------|-----|-------|------|-------|------|---------|
| | Dash | (mm) | (in.) | (mm) | (in.) | Mpa | psi | Mpa | psi | (mm) | (in.) | kg/m | lbs/ft. |
| Flexor 4SH | -32 | 51 | 2 | 68.1 | 2.68 | 25 | 3650 | 110 | 14600 | 700 | 28 | 4.67 | 3.13 |

ALFAGOMMA FIG. 1502 HAMMER UNION FITTINGS

- Obtained by bar drilling from the highest quality raw material
- Designed to allow the most compact and direct union
- Several insert and ferrule versions available, to fit different multispiral hoses
- Conformity to API requirements



LUG NUT AND LIP TYPE RUBBER RING ALSO AVAILABLE AS SPARE PARTS

Lug Nut 1502 Hammer Union

Part Number - I1DE103-051



Self-locking Acme thread lug nut, quick make-up and break-out

Rubber Ring 1502 Hammer Union

Part Number – INJME1-051



Replaceable lip type rubber ring to ensure pressure seal



Kuriyama of America, Inc.

Headquarters, Sales Office and Warehouse Location

360 E. State Parkway • Schaumburg, IL 60173-5335

Phone: (847) 755-0360 • Toll-free FAX: (800) 800-0320 • International FAX: (847) 885-0996

Web Site: <http://www.kuriyama.com> E-Mail: sales@kuriyama.com



SOUTHWEST WAREHOUSE
 KURIYAMA OF AMERICA, INC.
 HOUSTON
 200 PORTWALL ST., SUITE 100
 HOUSTON, TX 77029
 Phone: (713) 674-8212
 Toll Free Phone: (800) 501-6808
 Fax: (713) 674-5214
 Toll Free FAX: (800) 800-5214

WESTERN WAREHOUSE
 KURIYAMA OF AMERICA, INC.
 SANTA FE SPRINGS
 10749 SHOEMAKER AVE.
 SANTA FE SPRINGS, CA 90670-4039
 Phone: (562) 941-4507
 Fax: (562) 941-8940
 Toll Free FAX: (800) 326-8940

SOUTHEAST WAREHOUSE
 FORTNEY SALES CO., INC.
 4221 CANTRELL ROAD NW
 ACWORTH, GA 30101
 Phone: (770) 427-6528
 FAX: (770) 423-9249
 Toll Free FAX: (800) 423-9249
 Web Site: www.fortneysales.com
 E-Mail: sales@fortneysales.com

EASTERN WAREHOUSE
 EASTERN RUBBER & PLASTICS CO., INC.
 100 GOLDMAN DR.
 PLUMSTED INDUSTRIAL PARK
 CREAM RIDGE, NJ 08514
 Phone: (609) 758-0100
 FAX: (609) 758-0102
 Toll Free FAX: (800) 445-7138
 Web Site: www.easterrubber.com
 E-Mail: sales@easterrubber.com

Visit us
www.kuriyama.com
 on the Web!



IN MEXICO:

KURIYAMA DE MÉXICO S DE RL DE CV, AV JOSE PALOMO MARTINEZ NO 520-20 BODEGA 5, PARQUE INDUSTRIAL OMOLAP, APODACA, N.L. CP:66633, MÉXICO
 Tel: (81) 1086-1870 o 71 • Toll-Free (within Mexico) 01-800-822-52-00 • FAX: (81) 1086-1869 • Internet: www.kuriyama.com • Correo Electronico: ventas@kuriyama.com