

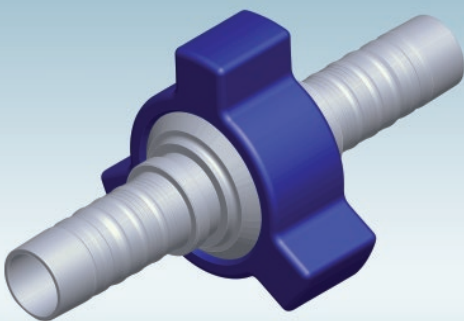
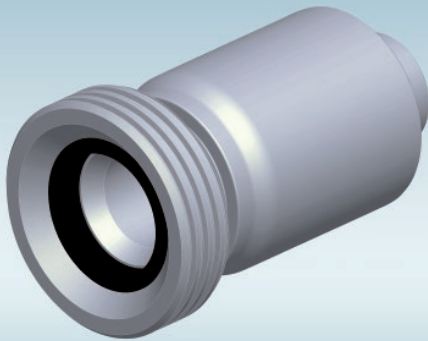
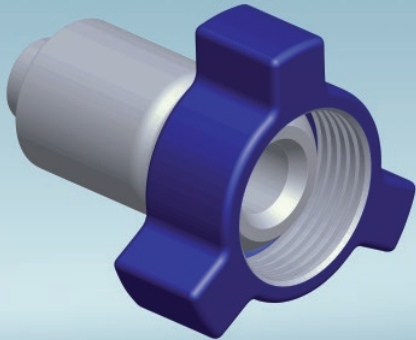


**Kuriyama Hydraulic**  
**Connections™**

**EDITION 0119**

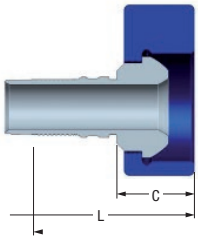
**ALFAGOMMA®**

**HAMMER UNION FIG.1502**  
**INTEGRAL FITTINGS**  
**2" SIZE**



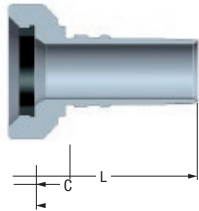
- **TWO-PIECE *INTERLOCK* AND ALFAGRIMP ONE-PIECE *NO-SKIVE* VERSIONS**
- **INTEGRAL FITTINGS, NO NEED OF ADAPTERS**
- **NO WELDED PARTS, SOLID ONE-PIECE**
- **DIRECT, COMPACT AND SMART SOLUTION**
- **ALFAGOMMA LONG LENGTH UP TO 61 m (200 ft) HOSES, TO REDUCE UNIONS**
- **THE LESS PARTS INVOLVED, THE SAFEST RESULT, THE HIGHEST PERFORMANCE**
- **TOP COAT PLATING**

**FOR ALFABIOTECH 5000 AND FLEXOR RIG™  
MINETUFF AND SUPERTUFF COVERS**



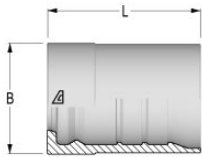
**Male Hammer Union Fig. 1502 integral fitting with Lug Nut**

Part Number	Dash	Hose ID (in)	Hose ID (mm)	C Cut-Off (mm)	L Overall Length (mm)	Weight Each (lbs)
X-3232-MHUN	32	2	50.8	71.0	152	14.11



**Female Hammer Union Fig. 1502 integral fitting with Rubber Ring**

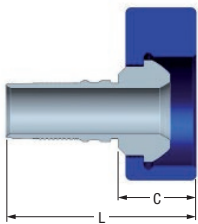
Part Number	Dash	Hose ID (in)	Hose ID (mm)	C Cut-Off (mm)	L Overall Length (mm)	Weight Each (lbs)
X-3232-FHUN	32	2	50.8	67.5	148.5	5.07



**Interlock ferrule H1400301 (requires Internal/External Skive)  
Alfabiotech 5000 and Flexor Rig™**

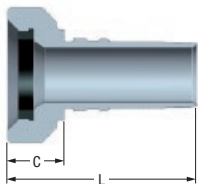
Part Number	Dash	Hose ID (in.)	Hose ID (mm)	B (mm)	L (mm)	Weight Each (lbs)
XF1-32	32	2	50.8	88	99	3.24

**FOR ALFABIOTECH 6000  
MINETUFF AND SUPERTUFF COVERS**



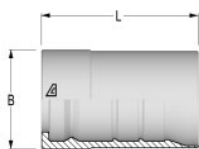
**Male Hammer Union Fig. 1502 integral fitting with Lug Nut**

Part Number	Dash	Hose ID (in)	Hose ID (mm)	C Cut-Off (mm)	L Overall Length (mm)	Weight Each (lbs)
Z-3232-MHUN	32	2	50.8	55.9	162.2	14.55



**Female Hammer Union Fig. 1502 integral fitting with Rubber Ring**

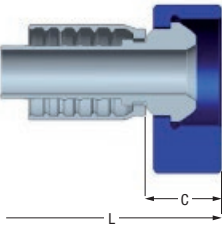
Part Number	Dash	Hose ID (in.)	Hose ID (mm)	C Cut-Off (mm)	L Overall Length (mm)	Weight Each (lbs)
Z-3232-FHUN	32	2	50.8	52.4	158.7	5.73



**Interlock ferrule H1T00600 (requires Internal/External Skive)**

Part Number	Dash	Hose ID (in.)	Hose ID (mm)	B (mm)	L (mm)	Weight Each (lbs)
ZF1-32	32	2	50.8	88	108.2	3.30

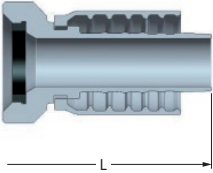
**FOR ALFABIOTECH 5000, FLEXOR RIG™, AND ALFABIOTECH 4000  
MINETUFF AND SUPERTUFF COVERS**



**Male Hammer Union Fig. 1502 integral fitting with Lug Nut**

Part Number	Dash	Hose ID (in)	Hose ID (mm)	C Cut-Off (mm)	L Overall Length (mm)	Weight Each (lbs)
F-3232-MHUN	32	2	50.8	60	185.5	14.55

**(One Piece No-Skive)**



**Female Hammer Union Fig. 1502 integral fitting with Rubber Ring**

Part Number	Dash	Hose ID (in)	Hose ID (mm)	C Cut-Off (mm)	L Overall Length (mm)	Weight Each (lbs)
F-3232-FHUN	32	2	50.8	56.5	182	5.52

**(One Piece No-Skive)**

**HOSES TO BE USED WITH HAMMER UNION FIG. 1502  
IN LENGTH UP TO 61 m (200 ft)**



Hose Model	↔		↔		⏴		⏵		⤵		⏶		
	Dash	(in)	(mm)	(in)	(mm)	Mpa	psi	Mpa	psi	(in)	(mm)	kg/m	lbs/ft
Flexor Rig™	32	2	51	2.76	70.2	35	5000	140	20000	21.7	550	6.16	4.14
Alfabiotech 4000	32	2	51	2.63	66.8	28	4000	112	16000	20.9	530	4.47	3.01
Alfabiotech 5000	32	2	51	70.2	70.2	35	5000	140	20000	21.7	550	6.16	4.14
Alfabiotech 6000	32	2	51	71.0	71.0	42	6000	168	24000	25.0	635	6.50	4.37

Note: Flexor Rig hoses have a perforated cover

**ALFAGOMMA FIG. 1502 HAMMER UNION FITTINGS**

- Obtained by bar drilling from the highest quality raw material
- Designed to allow the most compact and direct union
- Several insert and ferrule versions available, to fit different multispiral hoses
- Conformity to API requirements
- Top Coat Plating



**LUG NUT AND LIP TYPE RUBBER RING ALSO AVAILABLE AS SPARE PARTS**

**Lug Nut 1502 Hammer Union**



**Part Number - I1DE103-051**  
Self-locking Acme thread lug nut, quick make-up and break-out

**Rubber Ring 1502 Hammer Union**



**Part Number – INJME1-051**  
Replaceable lip type rubber ring to ensure pressure seal

**Alfacrimp one-piece no-skive fittings**

**Hydraulic Hoses**

# Cautionary Statement

All Products sold and distributed by Kuriyama of America, Inc. are in the nature of commodities and they are sold by published specifications and not for particular purposes, uses or applications. Purchaser shall first determine their suitability for the intended purposes, uses or applications and shall either conduct its own engineering studies or tests, or retain qualified engineers, consultants or testing laboratories and consult with them before determining the proper use, suitability or propriety of the merchandise or Products for the intended purposes, uses or applications.

Kuriyama of America, Inc. ("Seller") does not recommend the Products for any particular purpose, use or application, and the Purchaser or user thereof shall assume full responsibility for the suitability, propriety, use and application of the Products. Purchaser shall follow all instructions contained in Seller's catalogs, brochures, technical bulletins and other documents regarding the Products. The Products, including but not limited to, hose, tubing or couplings, may fail due to the use or conveyance of substances at elevated or lowered temperatures or at excessive pressure, the conveyance of abrasive, injurious, flammable, explosive or damaging substances.

Hose or tubing used in bent configurations will be subjected to increased abrasion. Hose clamps or couplings may loosen after initial installation and all sections of hose and tubing including connections, couplings, clamps, conductivity and bonding should be inspected frequently, regularly and consistently, and should be replaced, adjusted or re-tightened for the avoidance of leakage, for the prevention of injuries or damages, and for general safety purposes. Except as indicated in its Limited Warranty, Seller shall not be liable or responsible for direct or indirect injuries or damages caused by or attributed to the failure or malfunction of any Products sold or distributed by it.

Purchasers or users of the Products should frequently and consistently undertake inspections and protective measures with respect to the use and application of Products, which should include the examination of tube and cover, conditions of the hose or tubing, and the identification, repair or replacement of sections showing cracking, blistering, separations, internal and external abrasions, leaking or slipped couplings or connections and make proper proof tests.

## Limited Warranty

The Products sold or distributed by Seller are warranted to its customers to be free from defects in material and workmanship at the time of shipment by us, subject to the following provisions. ALL WARRANTY CLAIMS SHALL BE MADE WITHIN SIX (6) MONTHS AFTER SELLER SHIPPED THE PRODUCTS. SELLER'S LIABILITY HEREUNDER IS LIMITED AT SELLER'S EXCLUSIVE DISCRETION, TO 1) THE PURCHASE PRICE OF ANY PRODUCTS PROVING DEFECTIVE; 2) REPAIR OF ANY DEFECTIVE PRODUCT OR PART THEREOF; OR 3) REPLACEMENT OF ANY DEFECTIVE PRODUCT OR PART UPON ITS AUTHORIZED RETURN TO SELLER.

THIS WARRANTY IS IN LIEU OF AND EXCLUDES ALL OTHER WARRANTIES, EXPRESSED, IMPLIED, STATUTORY, OR OTHERWISE CREATED UNDER APPLICABLE LAW INCLUDING, BUT NOT LIMITED TO, THE WARRANTY OF MERCHANTABILITY AND THE WARRANTY OF FITNESS FOR A PARTICULAR PURPOSE. IN NO EVENT SHALL SELLER OR THE MANUFACTURER OF THE PRODUCT BE LIABLE FOR SPECIAL, INCIDENTAL, OR CONSEQUENTIAL DAMAGES, INCLUDING LOSS OF PROFITS, WHETHER OR NOT CAUSED BY OR RESULTING FROM THE NEGLIGENCE OF SELLER AND/OR THE MANUFACTURER OF THE PRODUCT, UNLESS SPECIFICALLY PROVIDED HEREIN. IN ADDITION, THIS WARRANTY SHALL NOT APPLY TO ANY PRODUCTS OR PORTIONS THEREOF WHICH HAVE BEEN SUBJECTED TO ABUSE, MISUSE, IMPROPER INSTALLATION, MAINTENANCE, OR OPERATION, ELECTRICAL FAILURE OR ABNORMAL CONDITIONS, AND TO PRODUCTS WHICH HAVE BEEN TAMPERED WITH, ALTERED, MODIFIED, REPAIRED, REWORKED BY ANYONE NOT APPROVED BY SELLER, OR USED IN ANY MANNER INCONSISTENT WITH THE PROVISIONS OF THE "CAUTIONARY STATEMENT" ABOVE OR ANY INSTRUCTIONS OR SPECIFICATIONS PROVIDED WITH OR FOR THE PRODUCT. 09/17/18 REV

Distributed by:

## CONTACT OUR SALES/WAREHOUSE LOCATIONS BELOW WHICH SERVE YOUR AREA

### SOUTHWEST WAREHOUSE KURIYAMA OF AMERICA, INC. HOUSTON

200 PORTWALL STREET, SUITE 100  
HOUSTON, TX 77029  
Phone: (713) 674-8212  
Toll Free Phone: (800) 501-6808  
FAX: (713) 674-5214  
Toll Free FAX: (800) 800-5214

### WESTERN WAREHOUSE KURIYAMA OF AMERICA, INC. SANTA FE SPRINGS

10749 SHOEMAKER AVENUE  
SANTA FE SPRINGS, CA 90670-4039  
Phone: (562) 941-4507  
FAX: (562) 941-8940  
Toll-Free FAX: (800) 326-8940

### SOUTHEAST WAREHOUSE FORTNEY SALES CO., INC. 4221 CANTRELL ROAD NW ACWORTH, GA 30101

Phone: (770) 427-6528  
FAX: (770) 423-9249  
Toll Free FAX: (800) 423-9249  
Web Site: [www.fortneysales.com](http://www.fortneysales.com)  
E-Mail: [sales@fortneysales.com](mailto:sales@fortneysales.com)

### EASTERN WAREHOUSE EASTERN RUBBER & PLASTICS CO., INC. 100 GOLDMAN DR. PLUMSTED INDUSTRIAL PARK CREAM RIDGE, NJ 08514

Phone: (609) 758-0100  
FAX: (609) 758-0102  
Toll Free FAX: (800) 445-7138  
Web Site: [www.easternrubber.com](http://www.easternrubber.com)  
E-Mail: [sales@easternrubber.com](mailto:sales@easternrubber.com)

### IN MEXICO:

KURIYAMA DE MEXICO S DE RL DE CV  
AV JOSE PALOMO MARTÍNEZ NO 520-20  
BODEGA 5  
PARQUE INDUSTRIAL OMOLAP  
APODACA, N.L. CP: 66633, MÉXICO  
Telefonos (81)1086-1870 ó 1086-1871  
Fax (81)1086-1869  
Lada sin Costo 01 800 822 52 00  
Internet: [www.kuriyama.com](http://www.kuriyama.com)  
Correo Electronico: [ventas@kuriyama.com](mailto:ventas@kuriyama.com)



## Kuriyama of America, Inc.

Headquarters, Sales Office and Warehouse Location

360 E. State Parkway, Schaumburg, IL 60173-5335  
Phone: (847) 755-0360 • Toll-free FAX: (800) 800-0320  
International FAX: (847) 885-0996

Web Site: [www.kuriyama.com](http://www.kuriyama.com)  
E-Mail: [sales@kuriyama.com](mailto:sales@kuriyama.com)



Visit us  
[www.kuriyama.com](http://www.kuriyama.com)  
on the Web!



[kuriyama.com/50years](http://kuriyama.com/50years)

The trademarks contained in this publication are trademarks of Kuriyama of America, Inc.  
The "Alfagomma" trademark contained in this publication is a registered trademark of Alfagomma S.p.A.